

JDN *mini* AIR HOISTS

Small in Size, High in Performance.
From 275 Lbs. to 2200 Lbs. Capacity,
Air Pressure 85 PSI (6 Bar)



mini 125



mini 1000
in plain trolley

The JDN "Economy Line" **mini** completes our PROFI series of hoists, proven in heavy-duty industrial applications. The **mini** brings that famous JDN quality to the light duty sector.

Explosion Classification: II 3 GD IIA T4(X)

FEATURES

- ➔ New patented wear-resistant breaking system
- ➔ Rugged lightweight aluminum housing
- ➔ Precise variable lifting and lowering speed
- ➔ Few components mean easy operation and low maintenance
- ➔ Very low headroom
- ➔ Easy to handle because of its low weight
- ➔ Complete turnkey solution for 1 ton and below
- ➔ Chain Container Standard

TECHNICAL DATA

Type		mini 125	mini 250	mini 500	mini 1000
Capacity	lbs	275	550	1100	2200
	kg	125	250	500	1000
Number of chain strands		1	1	1	1
Motor output	kW	0.4	0.4	1	1
Lifting speed without load	ft/min	130	65	65	33
	m/min	40	20	20	10
Lifting speed at full load	ft/min	49.5	26	33	16
	m/min	15	8	10	5
Lowering speed at full load	ft/min	99	52	59	33
	m/min	30	16	18	10
Air consumption at full load	cfm	17.5	17.5	42.5	42.5
	m ³ /min	0.5	0.5	1.2	1.2
Air connection	inch.	G 3/8"	G 3/8"	G 1/2"	G 1/2"
Weight with 10 ft / 3 m lift	lbs	21	23.1	46.2	50.6
	kg	9.5	10.5	21	23
Chain dimension	mm	4 x 12	4 x 12	7 x 21	7 x 21
Weight of chain	lbs/ft	0.23	0.23	0.67	0.67
	kg/m	0.35	0.35	1.1	1.1
Height of lifts	ft	10 / 16 / 26			
	m	3.0 / 5.0 / 8.0			
Length of control at standard lift	ft	6.5 / 13 / 20			
	m	2 / 4 / 6			
Sound level at full load ² – lifting	dB(A)	79	79	77	77
Sound level at full load ² – lowering	dB(A)	80	80	83	83

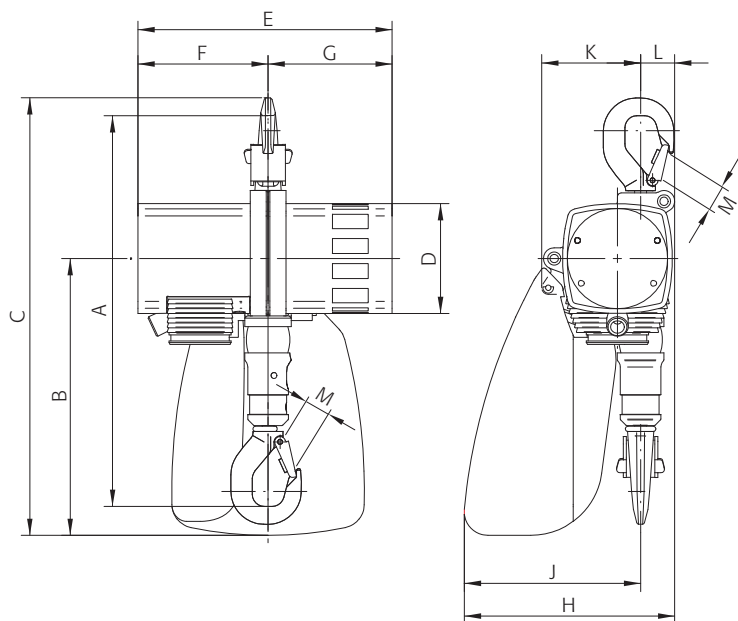
¹ Lifting speed at 2m length of control. Longer control hoses decrease the lifting speeds.

² Measured at 1m distance acc. to DIN 45635 part 20



DIMENSIONS

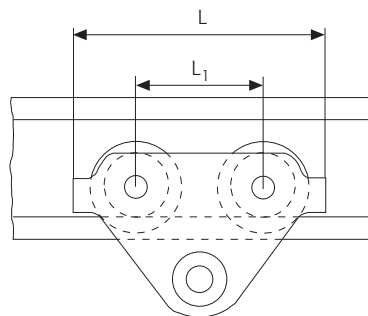
Type	mini 125	mini 250	mini 500	mini 1000
A	inch. 12.9 mm 328	12.9 328	18.0 458	18.0 458
B	inch. 9.1 mm 232	9.1 232	12.4 316	12.4 316
C	inch. 14.4 mm 367	14.4 367	19.9 505	19.9 505
D	inch. 3.6 mm 92	3.6 92	4.8 122	4.8 122
E	inch. 8.4 mm 213	8.4 213	11.5 292	11.5 292
F	inch. 4.3 mm 109	4.3 109	5.8 148	5.8 148
G	inch. 4.1 mm 104	4.1 104	5.6 144	5.6 144
H	inch. 7 mm 177	7 177	9.2 234	9.2 234
J	inch. 5.8 mm 148	5.8 148	7.6 194	7.6 194
K	inch. 3.3 mm 83	3.3 83	4.7 119	4.7 119
L	inch. 1.1 mm 29	1.1 29	1.6 40	1.6 40
M	inch. 0.7 mm 19	0.7 19	1.1 28	1.1 28



PLAIN TROLLEYS FOR JDN AIR HOISTS *mini*

TECHNICAL DATA

Type		LN 500	LN 1000
For use with:		mini 125 mini 250	mini 500 mini 1000
Beam flange width b	inch. mm	2 - 8 50 - 220	2 - 8 58 - 220
max. flange thickness t	inch. mm	1.3 34	1.2 30
min. curve radius	inch. m	35.4 0.9	39.4 1.0
Weight	lbs kg	17 7.7	21 10.5



DIMENSIONS

Type		LN 500	LN 1000
A	inch. mm	3.1 79.5	3.1 79
D	inch. mm	0.7 17	0.7 17
D ₁	inch. mm	1 25	1.2 30
D ₂	inch. mm	1.2 30	1.4 35
H ₁	inch. mm	1.2 30	1 25
I	inch. mm	2.7 67.5	3.2 81.5
L	inch. mm	10.2 260	10.2 260
L ₁	inch. mm	5.1 130	5.1 130
O	inch. mm	2.2 55	2.7 68
T	inch. mm	5.7 144	5.9 151

